



# Block Fence/Wall Details

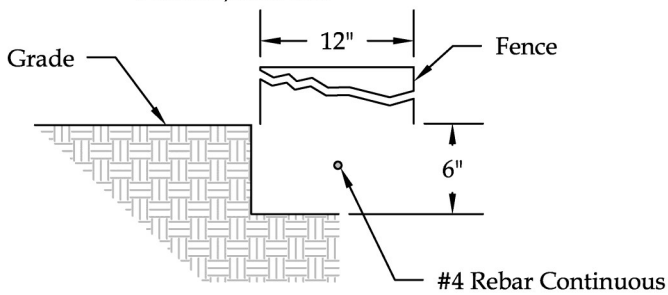
CITY OF COOLIDGE DEVELOPMENT SERVICES  
 BUILDING SAFETY DIVISION  
 131 W. PINKLEY AVENUE, COOLIDGE, AZ 85128  
 PHONE (520) 723-6075 FAX (520) 723-6079  
[www.coolidgeaz.com](http://www.coolidgeaz.com)

## NOTES

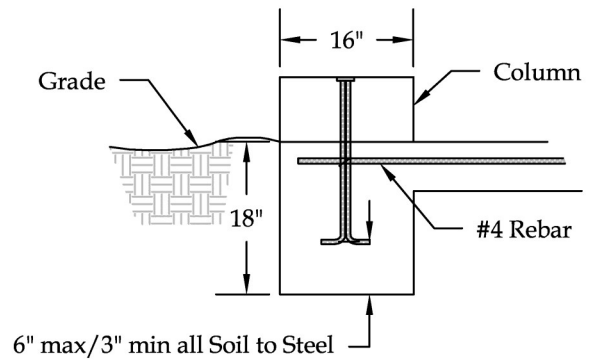
- ① 16"x6"x8" Solid grouted fence column.
- ② Column footing for all block fence.
- ③ Footing SHALL be continuous for all block fence.
- ④ 10' maximum or as manufactor(s) requirement.
- ⑤ #4 rebar; rebar tied together.

### FOOTING DETAIL

Parallel w/ Fence Line



### COLUMN FOOTING DETAIL



### FENCE DETAIL

